

Power distribution blocks WPDB

- Space-saving design
- Modular or 3-phase block versions
- Easy to use
- IP20 class of protection
- For TS 35 rail or direct mounting
- High short-circuit protection
- Parallel cross-connection with 5 x 15 mm busbar

WPDB 16/6 3/4

16/6 mm²



WPDB 35-16/16 1-1/6

35/6 mm²



Technical data

Max. current	
Dimensions	
Width / Length (incl. mounting) / Height (mm) with TS 35x7.5	
Weight	
IEC rated 60 947-7-1	
Rated voltage	V
Rated current	A
Rated cross-section in-/output	mm ²
Rated impulse voltage / Pollution severity	
UL94 Flammability Class	
Further technical data	
Short-circuit strength (peak value)	kA
Short-circuit strength > 1 s	kA
Inputs	
No. of connections	
Clampable conductors:	
„e“ solid H07V-U	mm ²
„m“ stranded H07V-R	mm ²
„f“ flexible H07V-K	mm ²
„f“ flexible H07V-K and ferrule acc. to DIN 46 228/1	mm ²
„f“ flexible H07V-K and ferrule with plastic insul. Collar	mm ²
Diameter	mm
Tightening torque	Nm
Clamping screw	
Blade size	
Stripping length	mm
Outputs	
No. of connections	
Clampable conductors:	
„e“ solid H07V-U	mm ²
„m“ stranded H07V-R	mm ²
„f“ flexible H07V-K	mm ²
„f“ flexible H07V-K and ferrule acc. to DIN 46 228/1	mm ²
„f“ flexible H07V-K and ferrule with plastic insul. Collar	mm ²
Diameter	mm
Tightening torque	Nm
Clamping screw	
Blade size	
Stripping length	mm
UL/CSA rated data	
Voltage/current/conductor size	UL
Voltage/current/conductor size	CSA

80 A		
27 x 37 (66) x 47		
63 g		
690		
80		
16 / 16-6		
2,5 KV / 3		
V-0		
22		
3		
A	B	C
1		
2,5 ... 16		
2,5 ... 16		
2,5 ... 16		
2,5 ... 16		
2,5 ... 16		
7		
1,5 ... 3		
M5		
PZ2		
12 ... 18		
A	B	C
2	4	
2,5 ... 16	2,5 ... 6	
2,5 ... 16	2,5 ... 6	
2,5 ... 16	2,5 ... 6	
2,5 ... 16	2,5 ... 6	
2,5 ... 16	2,5 ... 6	
7	4,5	
1,5 ... 3	0,8 ... 1,5	
M5	M5	
PZ2	PZ2	
9 ... 12	12 ... 18	

125 A		
27 x 51 (74) x 47		
134 g		
690		
125		
35-16 / 16		
2,5 KV / 3		
V-0		
30		
4,2		
A	B	C
1	1	
10 ... 35		
10 ... 35		
10 ... 35		
10 ... 35		
10 ... 35		
10	7	
3,5 ... 5	3,5 ... 5	
M8	M6	
M4	M4	
14 ... 15	10 ... 12	
A	B	C
6		
2,5 ... 16		
2,5 ... 16		
2,5 ... 16		
2,5 ... 16		
2,5 ... 16		
6,5		
1,5 ... 3		
M5		
PZ2		
10 ... 12		

Ordering Data

Version	dark beige Wemid
----------------	------------------

Type	Qty.	Order No.
WPDB 16/6 3/4	1	1939440000

Type	Qty.	Order No.
WPDB 35-16/16 1-1/6	1	1939450000

Accessories

Screwdrivers	
Crosshead screwdriver, Pozidriv type	
Crosshead screwdriver, Pozidriv type	
7-piece hexagon wrench set	
Labelling systems	
Marking labels for laser printer	

Type	Qty.	Order No.
SDK PZ1	1	9008530000
SDK PZ2	1	9008540000
SK-S 2.0-8.0	1	9008860000
LM MT300 15 x 9 GE	1	1882890000

Type	Qty.	Order No.
SDK PZ2	1	9008540000
SK-S 2.0-8.0	1	9008860000
LM MT300 15 x 9 GE	1	1882890000

WPDB 70/16 1/10

70/16 mm²

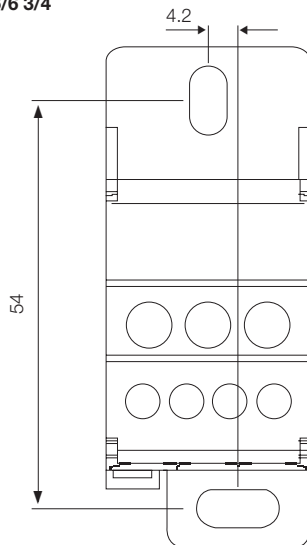


175 A
45 x 55 (71) x 42
228 g
690
175
70 / 16
2,5 KV / 3
V-0
22
3
A B C
1
16 ... 70
16 ... 70
16 ... 70
16 ... 70
16 ... 70
12
5
M10
M5
15 ... 16
A B C
10
2,5 ... 16
2,5 ... 16
2,5 ... 16
2,5 ... 16
2,5 ... 16
6
3
M6
M3
10 ... 12

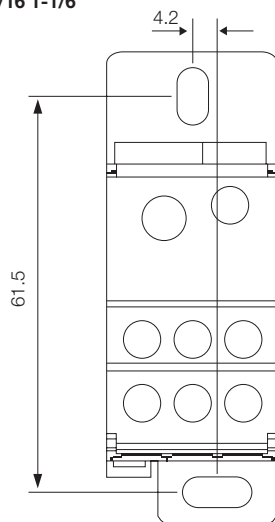
Type	Qty.	Order No.
WPDB 70/16 1/10	1	1939460000

Type	Qty.	Order No.
SK-S 2.0-8.0	1	9008860000
LM MT300 15 x 9 GE	1	1882890000

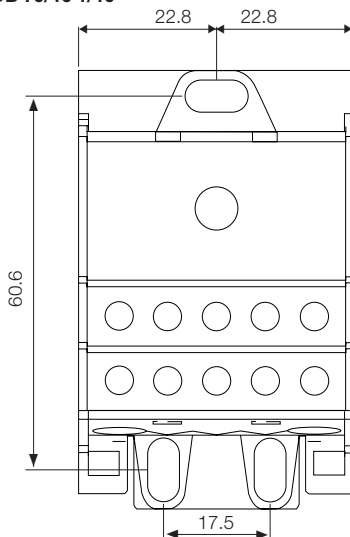
WPDB 16/6 3/4



WPDB 35-16/16 1-1/6



WPDB 70/16 1/10



Power distribution blocks WPDB

- Space-saving design
- Modular or 3-phase block versions
- Easy to use
- IP20 class of protection
- For TS 35 rail or direct mounting
- High short-circuit protection
- Parallel cross-connection with 5 x 15 mm busbar

WPDB 120/35-16-10 1/2-5-4 120/35 mm²WPDB 185/35-16-10 1/2-5-4 185/35 mm²

Technical data

Max. current		250 A		400 A
Dimensions				
Width / Length (incl. mounting) / Height (mm) with TS 35x7.5		44,5 x 72 (95,5) x 49		44,5 x 72 (95,5) x 49
Weight		434 g		414 g
IEC rated 60 947-7-1				
Rated voltage	V	690		690
Rated current	A	250		400
Rated cross-section in-/output	mm ²	120 / 35-16-10		185 / 35-16-10
Rated impulse voltage / Pollution severity		2,5 KV / 3		2,5 KV / 3
UL94 Flammability Class		V-0		V-0
Further technical data				
Short-circuit strength (peak value)	kA	51		51
Short-circuit strength > 1 s	kA	24,5		24,5
Inputs		A	B	C
No. of connections		1		1
Clampable conductors:				
„e“ solid H07V-U	mm ²	35 ... 120		95 ... 185
„m“ stranded H07V-R	mm ²	35 ... 120		95 ... 185
„f“ flexible H07V-K	mm ²	35 ... 120		95 ... 185
„f“ flexible H07V-K and ferrule acc. to DIN 46 228/1	mm ²	35 ... 120		95 ... 185
„f“ flexible H07V-K and ferrule with plastic insul. Collar	mm ²	35 ... 120		95 ... 185
Diameter	mm	15		19
Tightening torque	Nm	19		25
Clamping screw		M14		M16
Blade size		M6		M8
Stripping length	mm	27 ... 29		27 ... 29
Outputs		A	B	C
No. of connections		2	5	4
Clampable conductors:				
„e“ solid H07V-U	mm ²	2,5 ... 35	2,5 ... 16	2,5 ... 10
„m“ stranded H07V-R	mm ²	2,5 ... 35	2,5 ... 16	2,5 ... 10
„f“ flexible H07V-K	mm ²	2,5 ... 35	2,5 ... 16	2,5 ... 10
„f“ flexible H07V-K and ferrule acc. to DIN 46 228/1	mm ²	2,5 ... 35	2,5 ... 16	2,5 ... 10
„f“ flexible H07V-K and ferrule with plastic insul. Collar	mm ²	2,5 ... 25	2,5 ... 16	2,5 ... 10
Diameter	mm	12	8	7
Tightening torque	Nm	3,5	2	2
Clamping screw		M8	M6	M6
Blade size		SD 1,0 x 5,5 x 150	SD 0,8 x 4,5 x 125	SD 0,8 x 4,5 x 125
Stripping length	mm	10 ... 12	10 ... 12	10 ... 12
UL/CSA rated data				
Voltage/current/conductor size	UL			
Voltage/current/conductor size	CSA			

Ordering Data

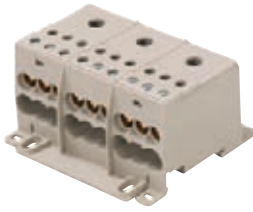
Version	Type	Qty.	Order No.	Type	Qty.	Order No.
dark beige Wemid	WPDB 120/35-16-10 1/2-5-4	1	1939470000	WPDB 185/35-16-10 1/2-5-4	1	1939480000

Accessories

Screwdrivers	Type	Qty.	Order No.	Type	Qty.	Order No.
Crosshead screwdriver, Pozidriv type	SD 1,0 x 5,5 x 150	1	9008350000	SD 1,0 x 5,5 x 150	1	9008350000
Crosshead screwdriver, Pozidriv type	SD 0,8 x 4,5 x 125	1	9009020000	SD 0,8 x 4,5 x 125	1	9009020000
7-piece hexagon wrench set	SK-S 2,0-8,0	1	9008860000	SK-S 2,0-8,0	1	9008860000
Labelling systems						
Marking labels for laser printer	LM MT300 15 x 9 GE	1	1882890000	LM MT300 15 x 9 GE	1	1882890000

WPDB 3 x 70/16 1/6

70/16 mm²



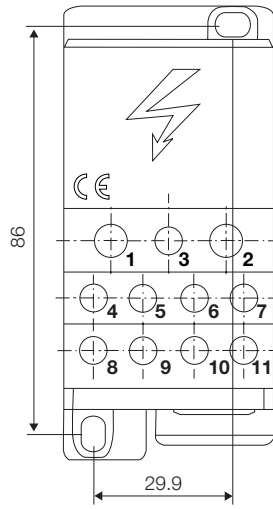
175 A
80 x 54,5 (71,5) x 42,5
386 g
690
175
70 / 16
2,5 KV / 3
V-0

A	B	C
3 x 1		
16 ... 70		
16 ... 70		
16 ... 70		
16 ... 70		
16 ... 70		
12		
5		
M10		
M5		
15 ... 16		
A	B	C
3 x 6		
2,5 ... 16		
2,5 ... 16		
2,5 ... 16		
2,5 ... 16		
2,5 ... 16		
6		
3		
M6		
M3		
10 ... 12		

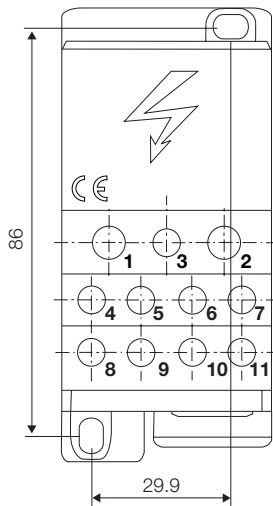
Type	Qty.	Order No.
WPDB 3 x 70/16 1/6	1	1939490000

Type	Qty.	Order No.
SK-S 2.0-8.0	1	9008860000
LM MT300 15 x 9 GE	1	1882890000

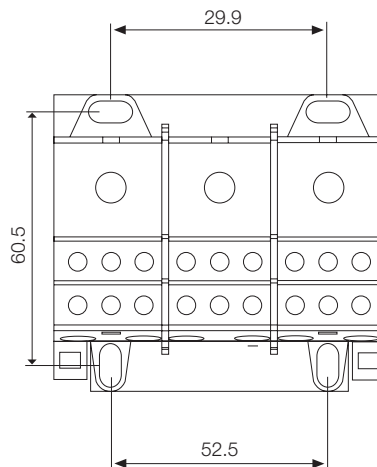
WPDB 120/35-16-10 1/2-5-4



WPDB 185/35-16-10 1/2-5-4



WPDB 3 x 70/16 1/6



Power distribution blocks WPDB

- Space-saving design
- Modular or 3-phase block versions
- Easy to use
- IP20 class of protection
- For TS 35 rail or direct mounting
- High short-circuit protection
- Parallel cross-connection with 5 x 15 mm busbar

WPDB 70/16 1/6

70/16 mm²

With distribution for busbars
(parallel connection) Cu 16 x 5 mm max.



WPDB 35/16/6/N 1/2/5/11

35/16/6/N mm²

Three-phase power-supply block
with neutral-conductor busbar



Technical data

Max. current	
160 A	
Dimensions	
Width / Length (incl. mounting) / Hight (mm)	with TS 35x7.5
Weight	238 g
IEC rated 60 947-7-1	
Rated voltage	V
Rated current	A
Rated cross-section in-/output	mm ²
Rated impulse voltage / Pollution severity	UL94 Flammability Class
Further technical data	
Short-circuit strength (peak value)	kA
Short-circuit strength > 1 s	kA
Inputs	
No. of connections	
Clampable conductors:	
„e“ solid H07V-U	mm ²
„m“ stranded H07V-R	mm ²
„f“ flexible H07V-K	mm ²
„f“ flexible H07V-K and ferrule acc. to DIN 46 228/1	mm ²
„f“ flexible H07V-K and ferrule with plastic insul. Collar	mm ²
Diameter	mm
Tightening torque	Nm
Clamping screw	
Blade size	
Stripping length	mm
Outputs	
No. of connections	
Clampable conductors:	
„e“ solid H07V-U	mm ²
„m“ stranded H07V-R	mm ²
„f“ flexible H07V-K	mm ²
„f“ flexible H07V-K and ferrule acc. to DIN 46 228/1	mm ²
„f“ flexible H07V-K and ferrule with plastic insul. Collar	mm ²
Diameter	mm
Tightening torque	Nm
Clamping screw	
Blade size	
Stripping length	mm
UL/CSA rated data	
Voltage/current/conductor size	UL
Voltage/current/conductor size	CSA

Max. current		
160 A		
Dimensions		
Width / Length (incl. mounting) / Hight (mm)	35 x 72 (92) x 49	
Weight	238 g	
IEC rated 60 947-7-1		
Rated voltage	690	
Rated current	160	
Rated cross-section in-/output	70 / 16	
Rated impulse voltage / Pollution severity	2,5 KV / 3	
UL94 Flammability Class	V-0	
Further technical data		
Short-circuit strength (peak value)	30	
Short-circuit strength > 1 s	11,8	
Inputs		
No. of connections		
Clampable conductors:		
„e“ solid H07V-U	mm ²	10 ... 70
„m“ stranded H07V-R	mm ²	10 ... 70
„f“ flexible H07V-K	mm ²	10 ... 70
„f“ flexible H07V-K and ferrule acc. to DIN 46 228/1	mm ²	10 ... 70
„f“ flexible H07V-K and ferrule with plastic insul. Collar	mm ²	10 ... 70
Diameter	mm	13
Tightening torque	Nm	4
Clamping screw		M10
Blade size		M5
Stripping length	mm	19 ... 23
Outputs		
No. of connections		
Clampable conductors:		
„e“ solid H07V-U	mm ²	2,5 ... 16
„m“ stranded H07V-R	mm ²	2,5 ... 16
„f“ flexible H07V-K	mm ²	2,5 ... 16
„f“ flexible H07V-K and ferrule acc. to DIN 46 228/1	mm ²	2,5 ... 16
„f“ flexible H07V-K and ferrule with plastic insul. Collar	mm ²	2,5 ... 16
Diameter	mm	6
Tightening torque	Nm	2
Clamping screw		M5
Blade size		PZ2
Stripping length	mm	10 ... 12
UL/CSA rated data		
Voltage/current/conductor size	UL	
Voltage/current/conductor size	CSA	

Max. current		
125 A		
Dimensions		
Width / Length (incl. mounting) / Hight (mm)	98 x 56,5 (74,5) x 45	
Weight	314 g	
IEC rated 60 947-7-1		
Rated voltage	690	
Rated current	125	
Rated cross-section in-/output	35 / 16	
Rated impulse voltage / Pollution severity	2,5 KV / 3	
UL94 Flammability Class	V-0	
Further technical data		
Short-circuit strength (peak value)	30	
Short-circuit strength > 1 s	11,8	
Inputs		
No. of connections		
Clampable conductors:		
„e“ solid H07V-U	mm ²	10 ... 70
„m“ stranded H07V-R	mm ²	10 ... 70
„f“ flexible H07V-K	mm ²	10 ... 70
„f“ flexible H07V-K and ferrule acc. to DIN 46 228/1	mm ²	10 ... 70
„f“ flexible H07V-K and ferrule with plastic insul. Collar	mm ²	10 ... 70
Diameter	mm	13
Tightening torque	Nm	4
Clamping screw		M10
Blade size		M5
Stripping length	mm	19 ... 23
Outputs		
No. of connections		
Clampable conductors:		
„e“ solid H07V-U	mm ²	2,5 ... 16
„m“ stranded H07V-R	mm ²	2,5 ... 16
„f“ flexible H07V-K	mm ²	2,5 ... 16
„f“ flexible H07V-K and ferrule acc. to DIN 46 228/1	mm ²	2,5 ... 16
„f“ flexible H07V-K and ferrule with plastic insul. Collar	mm ²	2,5 ... 16
Diameter	mm	6
Tightening torque	Nm	2
Clamping screw		M5
Blade size		PZ2
Stripping length	mm	10 ... 12
UL/CSA rated data		
Voltage/current/conductor size	UL	
Voltage/current/conductor size	CSA	

Ordering Data

Version	dark beige Wemid
----------------	------------------

Type	Qty.	Order No.
WPDB 70/16 1/6	1	1939500000

Type	Qty.	Order No.
WPDB 35/16/6/N 1/2/5/11	1	1939510000

Accessories

Screwdrivers	
Crosshead screwdriver, Pozidriv type	
Crosshead screwdriver, Pozidriv type	
7-piece hexagon wrench set	
Labelling systems	
Marking labels for laser printer	

Type	Qty.	Order No.
SDK PZ2	1	9008540000
SK-S 2.0-8.0	1	9008860000
LM MT300 15 x 9 GE	1	1882890000

Type	Qty.	Order No.
SDK PZ1	1	9008530000
SDK PZ2	1	9008540000
LM MT300 15 x 9 GE	1	1882890000